



LED LUMINOUS SOURCE



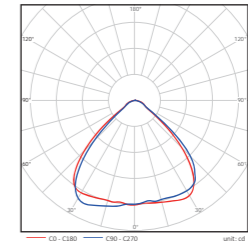
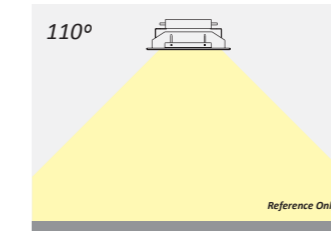
Philips Lumileds 3030 2D
Greater than 150lm/W high efficacy, illumination grade LED light source.

LED DRIVER (Two options)



High-end Mean Well HLG Series LED driver, optimal stability, performance and lifespan.

Light Distribution Options



Lens code: 110°

Applications:
Gas Station | Shelf Aisle | High Hall | High Workshop | Warehouse

Electrical & Photometric

★ 3030 Version

Number of Modules	Model	LED Working Current	Power	Luminaire Efficacy (+/- 5%)	Lumen Output (+/- 5%)	Input Voltage	LED Brand	Driver Brand	Beam Angle	CCT (K)	Lifetime (h)
1	ZGSM-QD40A4	75mA	40W	140 lm /w	5600 lm	100-240V /277V AC 50 /60Hz	Philips Lumileds 3030 2D	MeanWell	110°	3000* 4000 5000 5700	>100,000 (L70)
	ZGSM-QD50A5	93mA	50W	135 lm /w	6750 lm						
	ZGSM-QD60A6	115mA	60W	130 lm /w	7800 lm						
2	ZGSM-QD80A4	80mA	80W	140 lm /w	11200 lm						
	ZGSM-QD100A5	97mA	100W	135 lm /w	13500 lm						
	ZGSM-QD120A6	115mA	120W	130 lm /w	15600 lm						
3	ZGSM-QD120A4	80mA	120W	140 lm /w	16800 lm						
	ZGSM-QD150A5	97mA	150W	135 lm /w	20250 lm						
	ZGSM-QD180A6	115mA	180W	130 lm /w	23400 lm						
4	ZGSM-QD160A4	80mA	160W	140 lm /w	22400 lm						
	ZGSM-QD200A5	97mA	200W	135 lm /w	27000 lm						

*Luminous Efficacy of 3000K is 5% lower than other CCTs.

Working Environment & Packing

Number of Modules	Working Environment	Storage Temperature	Rating	CRI	Power Factor	Power Efficiency	Material	Hole Size (mm)	Product Dimensions (mm)	Carton Size (mm)	N.W (kg)	G.W (kg)
1	-40 °C ~ +50 °C 10% ~ 90%RH	-40 °C ~ +50 °C	Class I IP65 IK10	>70	>0.95	>90%	Housing: Steel Alloy; Heat sink: Stretched Aluminium Alloy; Lens: PC	103*315	180*365*130	415*200*195	3.2	4.0
2								186*315	264*365*130	415*285*195	4.7	6.7
3								265*315	330*365*130	415*365*195	6.7	8.7
4								350*350	430*400*130	455*455*195	8.4	10.4

Note: Above data of weight are all typical values.

Certification

Manufacturer
ISO9001, ISO14001
A Series [ZGSM-QD40A4, ZGSM-QD80A4, ZGSM-QD120A4, ZGSM-QD160A4 ZGSM-QD50A5, ZGSM-QD100A5, ZGSM-QD150A5, ZGSM-QD200A5 ZGSM-QD60A6, ZGSM-QD120A6, ZGSM-QD180A6]
CE, ROHS, CB, FCC, LM79, LM80, ENEC

SERIES-H
LED CANOPY LIGHTS

PRODUCT CATALOG



7 YEAR
WARRANTY





SERIES-H
LED CANOPY LIGHTS

PRODUCT CATALOG

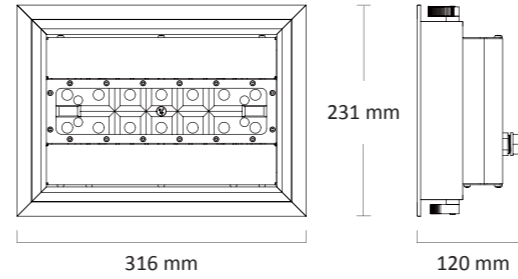
HIGH-EFFICACY LED LIGHT SOURCE

-  Philips Lumileds Luxeon TX
Greater than 135lm/W high efficacy, illumination grade LED light source.
-  Philips Lumileds 3030 2D
Greater than 150lm/W high efficacy, illumination grade LED light source.
-  Philips Lumileds 5050
Greater than 185lm/W high efficacy, illumination grade LED light source.

HIGH-END LED DRIVER (Two options)

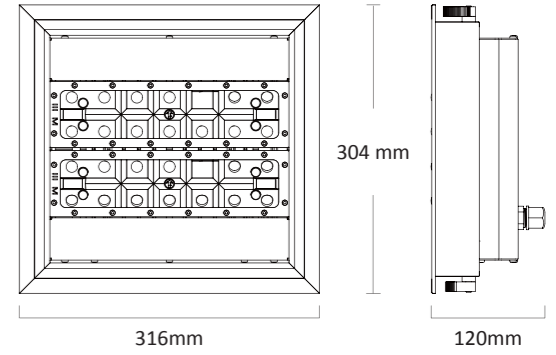
-  **NON-DIMMABLE**
POWERED BY MEAN WELL
High-end Mean Well HLG Series LED driver, optimal stability, performance and lifespan.
-  **DIMMABLE**
INVENTRONICS
LED DRIVER inside
High-end Inventronics programmable LED driver, integrate dimming function and 6KV/10KV surge protection. Provide excellent performance and lifespan.

FLEXIBLE COMBINATIONS OF MODULES



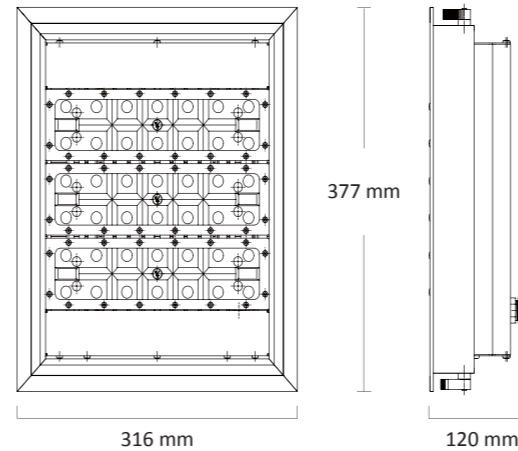
316 mm
Ceiling Thickness: 10 - 25 mm
Hole Size: 202 × 285 mm

1 module



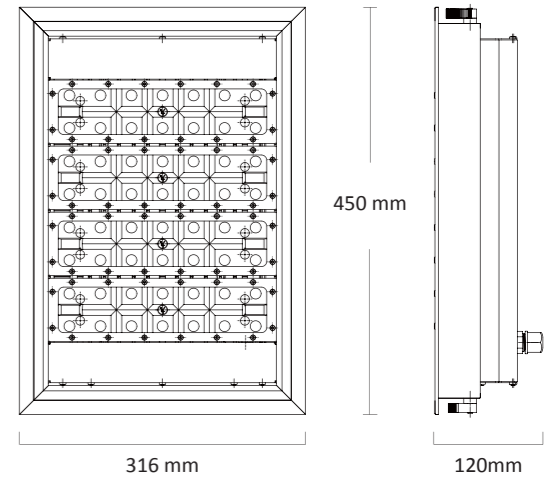
316 mm
Ceiling Thickness: 10 - 25 mm
Hole Size: 275 × 285 mm

2 modules



316 mm
Ceiling Thickness: 10 - 25 mm
Hole Size: 348 × 285 mm

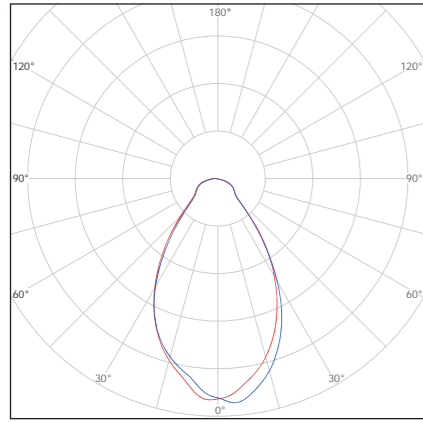
3 modules



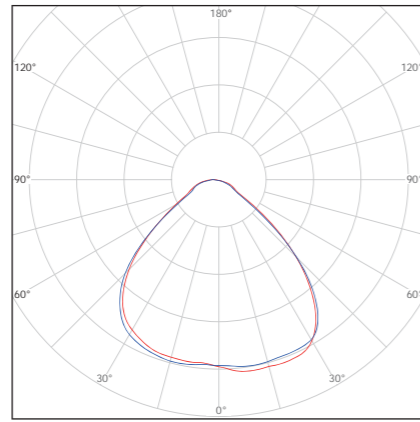
316 mm
Ceiling Thickness: 10 - 25 mm
Hole Size: 421 × 285 mm

4 modules

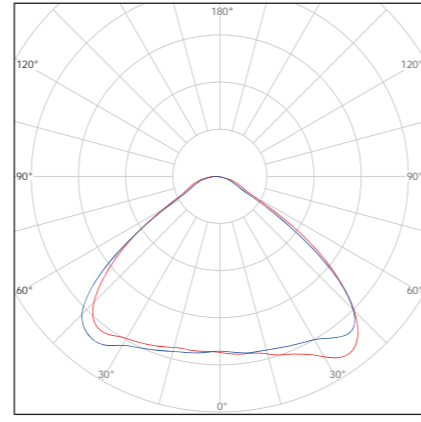
Light Distribution Options



Lens code: 60°



Lens code: 90°



Lens code: 110°

Electrical & Photometric

★ 3030 Version

Number of Modules	Model	LED Working Current	Power	Luminaire Efficacy (+/- 5%)	Lumen Output (+/- 5%)	Input Voltage	LED Brand	Driver Brand	Light Distributions	CCT (K)	Lifetime (h)
1	ZGSM-QD40H4	95mA	40W	130 lm /w	5200 lm	100-240V /277V AC 50 /60Hz	Philips Lumileds 3030 2D	MeanWell Inventronics	60° 90° 110°	3000* 4000 5000 5700	>100,000 (L70)
	ZGSM-QD50H5	115mA	50W	125 lm /w	6250 lm						>80,000 (L70)
	ZGSM-QD60H6	145mA	60W	120 lm /w	7200 lm						>100,000 (L70)
2	ZGSM-QD80H4	100mA	80W	130 lm /w	10400 lm						>100,000 (L70)
	ZGSM-QD100H5	120mA	100W	125 lm /w	12500 lm						>80,000 (L70)
	ZGSM-QD120H6	145mA	120W	120 lm /w	14400 lm						>100,000 (L70)
3	ZGSM-QD120H4	100mA	120W	130 lm /w	15600 lm						>80,000 (L70)
	ZGSM-QD150H5	120mA	150W	125 lm /w	18750 lm						>100,000 (L70)
	ZGSM-QD180H6	145mA	180W	120 lm /w	21600 lm						>80,000 (L70)
4	ZGSM-QD160H4	100mA	160W	130 lm /w	20800 lm						>100,000 (L70)
	ZGSM-QD200H5	120mA	200W	125 lm /w	25000 lm						>100,000 (L70)
	ZGSM-QD240H6	145mA	240W	120 lm /w	28800 lm						>80,000 (L70)

*Luminous Efficacy of 3000K is 5% lower than other CCTs.

★ 3535 Version

Number of Modules	Model	LED Working Current	Power	Luminaire Efficacy (+/- 5%)	Lumen Output (+/- 5%)	Input Voltage	LED Brand	Driver Brand	Light Distributions	CCT (K)	Lifetime (h)
1	ZGSM-QD40H	860mA	40W	110 lm /w	4400 lm	100-240V /277V AC 50 /60Hz	Philips Lumileds Luxeon TX	MeanWell Inventronics	60° 90° 110°	3000* 4000 5000 5700	>100,000 (L70)
2	ZGSM-QD80H	900mA	80W	110 lm /w	8800 lm						
3	ZGSM-QD120H	900mA	120W	110 lm /w	13200 lm						
4	ZGSM-QD160H	900mA	160W	110 lm /w	17600 lm						

*Luminous Efficacy of 3000K is 5% lower than other CCTs.

★ 5050 Version

Number of Modules	Model	LED Working Current	Power	Luminaire Efficacy (+/- 5%)	Lumen Output (+/- 5%)	Input Voltage	LED Brand	Driver Brand	Light Distributions	CCT (K)	Lifetime (h)
1	ZGSM-QD40H4	48mA	40W	160 lm /w	6400 lm	100-240V /277V AC 50 /60Hz	Philips Lumileds 5050	MeanWell Inventronics	110°	3000* 4000 5000 5700	>100,000 (L70)
	ZGSM-QD50H5	59mA	50W	155 lm /w	7750 lm						
	ZGSM-QD60H6	75mA	60W	155 lm /w	9300 lm						
2	ZGSM-QD80H4	50mA	80W	165 lm /w	13200 lm						
	ZGSM-QD100H5	61mA	100W	160 lm /w	16000 lm						
	ZGSM-QD120H6	75mA	120W	155 lm /w	18600 lm						
3	ZGSM-QD120H4	50mA	120W	165 lm /w	19800 lm						
	ZGSM-QD150H5	58mA	150W	160 lm /w	24000 lm						
	ZGSM-QD180H6	75mA	180W	155 lm /w	27900 lm						
4	ZGSM-QD160H4	50mA	160W	165 lm /w	26400 lm						
	ZGSM-QD200H5	58mA	200W	160 lm /w	32000 lm						
	ZGSM-QD240H6	75mA	240W	155 lm /w	37200 lm						

*Luminous Efficacy of 3000K is 5% lower than other CCTs.

Working Environment & Packing

Number of Modules	Working Environment	Storage Temperature	Rating	CRI	Power Factor	Power Efficiency	Material	Hole Size (mm)	Product Dimensions (mm)	Carton Size (mm)	N.W (kg)	G.W (kg)
1	-40 °C ~ +50 °C 10% ~ 90%RH	-40 °C ~ +50 °C	Class I IP66 IK10	>70	>0.95	>90%	Housing: Aluminium Alloy; Lens: PC	202*285	231*316*120	285*370*200	2.4	3.1
2								275*285	304*316*120	355*370*200	3.6	4.4
3								348*285	377*316*120	430*370*200	4.4	5.2
4								421*285	450*316*120	505*370*200	5.4	6.3

Note: Above data of weight are all typical values.

Certification

Manufacturer
ISO9001, ISO14001
H Series [ZGSM-QD40H, ZGSM-QD80H, ZGSM-QD120H, ZGSM-QD160H]
CE, ROHS, GS, CB, SAA, LM80, ATEX
H4/H5 Series [ZGSM-QD40H4, ZGSM-QD80H4, ZGSM-QD120H4, ZGSM-QD160H4 ZGSM-QD50H5, ZGSM-QD100H5, ZGSM-QD150H5, ZGSM-QD200H5]
CE, ROHS, LM80, ATEX
H6 Series [ZGSM-QD60H6, ZGSM-QD120H6, ZGSM-QD180H6, ZGSM-QD240H6]
CE, ROHS, LM80