

SERIES-PV

LED SOLAR STREET LIGHTS

PRODUCT CATALOG



3 YEAR WARRANTY

LED LUMINOUS SOURCE

Greater than 130lm/W high efficacy, each LG LED owns electrostatic protection component, maximally avoid the damage of electrostatic.



SOLAR PANEL

Solar panel absorbs sunlight and convert it into electricity



LITHIUM IRON PHOSPHATE BATTERY

Lithium iron phosphate battery improves the reliability of the luminaire. Low temperature charging protection, which effectively protects the battery



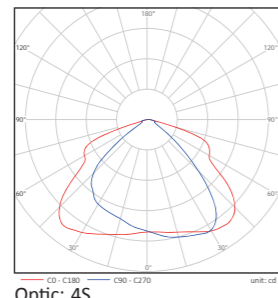
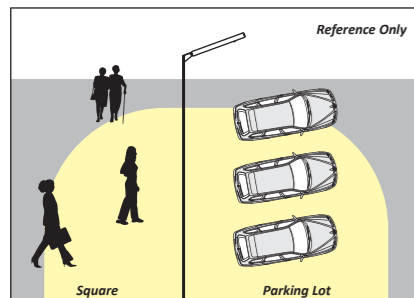
INDUCTION CONTROLLER /REMOTE CONTROL



Main Features

- Adopts MPPT charging method, which increases the utilization of solar panel.
- Lithium battery low temperature charging protection, which effectively protects the battery.
- Three induction stages design. Working time can be set from 0h to 15hours, power range from 0~100%
- Human infrared induction or microwave induction function for optional, Factory default is infrared induction.
- Sensitive time delay can be set from 0s~250s.
- Record system status, can record 7days and monitor the whole system.
- Overheat protection function, when the controller reaches a certain temperature, it will decrease or close the load.
- Working status indication, easy to maintain.

Light Distribution Options



Optic: 45

Application:

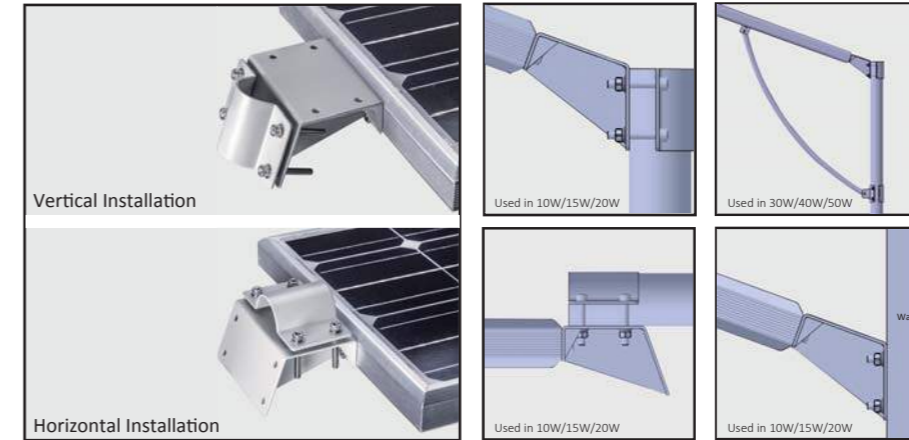
Garden, Residence, Courtyard;
Pedestrian and Branch Road;
Mine and Parking Lot;
Areas with no electrical supply

SERIES-PV

LED SOLAR STREET LIGHTS

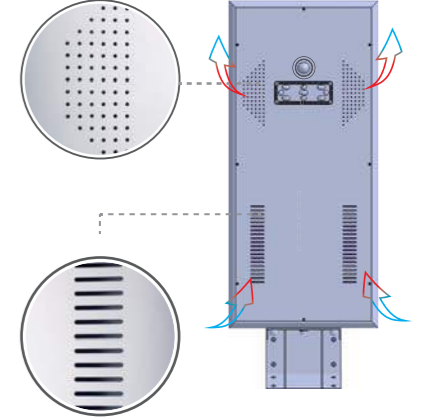
PRODUCT CATALOG

FLEXIBLE INSTALLATION



The installation can be adjusted according to different environments or illumination needs.

XTREME LUMINAIRE DESIGN



Xtreme luminaire design not only exquisite appearance, but also increased heat dissipation speed and keep ventilation

Electrical & Photometric

Model	Qty of Modules/ LEDs	Power	Luminaire efficacy (+/- 5%)	Lumen Output (+/- 5%)	Solar Panel	Battery Spec.	Constant worktime at 100% power	Energy Save Mode (30% power)	Charge time	LED Brand	CCT (K)	Light Distributions
ZGSM-PVLD10	1/ 8units	10W	120 lm /w	1200 lm	Monocrystal 25W/18V	9AH/ 12.8(LifePO4)	>8 Hours	>27 Hours	<5 Hours	LG	3000* 4000 5000 5700	TypeIV,Short
ZGSM-PVLD15	1/ 8units	15W	110 lm /w	1650 lm	Monocrystal 25W/18V	9AH/ 12.8(LifePO4)	>5.5 Hours	>18 Hours	<5 Hours			
ZGSM-PVLD20	2/ 16units	20W	120 lm /w	2400 lm	Monocrystal 33W/18V	15AH/ 12.8(LifePO4)	>6.5 Hours	>22 Hours	<5 Hours			
ZGSM-PVLD30	3/ 24units	30W	120 lm /w	3600 lm	Monocrystal 50W/18V	24AH/ 12.8(LifePO4)	>7 Hours	>24 Hours	<5 Hours			
ZGSM-PVLD40	4/ 32units	40W	120 lm /w	4800 lm	Monocrystal 75W/17.5V	30AH/ 12.8(LifePO4)	>6.5 Hours	>22 Hours	<5 Hours			
ZGSM-PVLD50	4/ 32units	50W	110 lm /w	5500 lm	Monocrystal 75W/17.5V	36AH/ 12.8(LifePO4)	>6.5 Hours	>22 Hours	<5 Hours			

*Luminous Efficacy of 3000K is 5% lower than other CCTs.

Working Environment & Packing

Model	Working Environment	Storage Temperature	Rating	CRI	Installation Height	Pole Distance	Material	Pole Aperture (mm)	Product Dimensions (mm)	Carton Size (mm)	N.W (kg)	G.W (kg)
ZGSM-PVLD10	-20 °C ~ +60 °C 10% ~ 90%RH	-20 °C ~ +40 °C	IP65 IK10	>70	3-4m	9-14m	Housing: Aluminum Alloy Lens: PC	Round Pole: Φ40~60mm	782*301*87.5	875*390*155	7.4	11.3
ZGSM-PVLD15					3-5m	9-17m			782*301*87.5	875*390*155	7.4	11.3
ZGSM-PVLD20					4-5m	12-17m			969*301*87.5	1060*390*155	9.2	14.6
ZGSM-PVLD30					4-6m	12-21m			1155*363*87.5	1240*460*155	15.0	20.5
ZGSM-PVLD40					5-6m	15-21m			1289*447*87.5	1385*535*155	18.1	26.8
ZGSM-PVLD50					5-7m	15-25m			1289*447*87.5	1385*535*155	18.9	27.5

Note: Above data of weight are all typical values.

Certification

Manufacturer
ISO9001, ISO14001
PV Series [ZGSM-PVLD10, ZGSM-PVLD15, ZGSM-PVLD20, ZGSM-PVLD30, ZGSM-PVLD40, ZGSM-PVLD50]
CE, ROHS, LM80



3 YEAR WARRANTY

LED LUMINOUS SOURCE

Greater than 150lm/W high efficacy, illumination grade LED light source.



SOLAR PANEL

Solar panel absorbs sunlight and convert it into electricity. Efficiency more than 17%.



LITHIUM IRON PHOSPHATE BATTERY

Lithium iron phosphate battery improves the reliability of the luminaire. Low temperature charging protection, which effectively protects the battery.

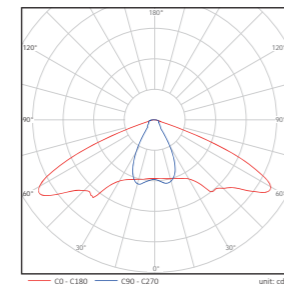
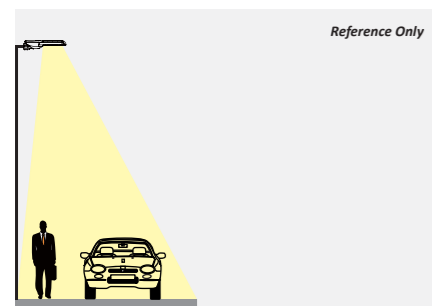


INDUCTION CONTROLLER /REMOTE CONTROL



- Main Features**
- Adopts MPPT charging method, which increases the utilization of solar panel.
 - Lithium battery low temperature charging protection, which effectively protects the battery.
 - Three induction stages design. Working time can be set from 0h to 15hours, power range from 0~100%
 - Human infrared induction or microwave induction function for optional, Factory default is infrared induction.
 - Sensitive time delay can be set from 0s~250s.
 - Record system status, can record 7days and monitor the whole system.
 - Overheat protection function, when the controller reaches a certain temperature, it will decrease or close the load.
 - Working status indication, easy to maintain.

Light Distribution Options

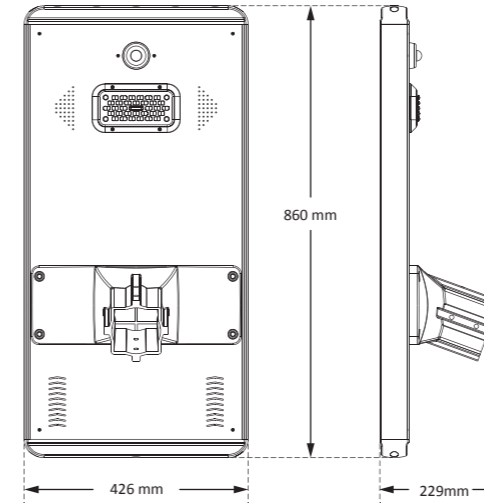


Lens code: 1S

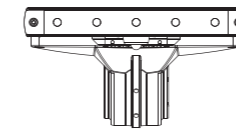
Application (Driverway width=3.5M):

- Garden, Residence, Courtyard
- Pedestrian and Branch Road
- Mine and Parking Lot
- Areas with no electrical supply

Dimension

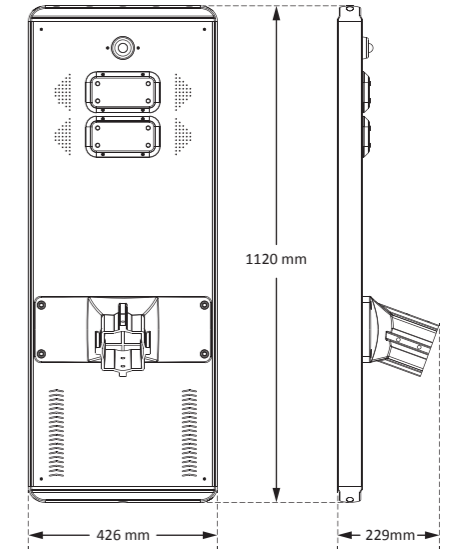


(Body)

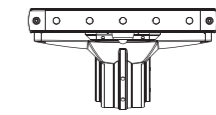


(Base)

1 module

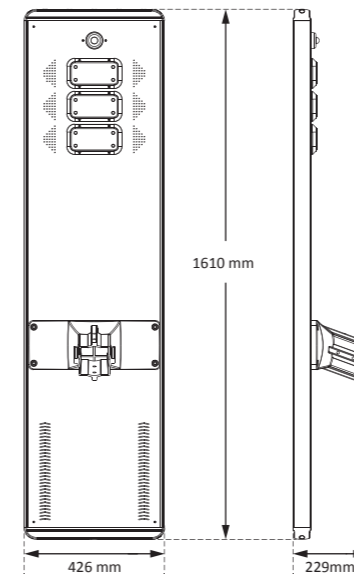


(Body)

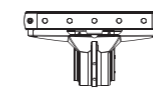


(Base)

2 modules



(Body)



(Base)

3 modules

Electrical & Photometric

Solar Panel Spec.	Model	Power	Modules Qty	Luminaire efficacy (+/- 5%)	Lumen Output (+/- 5%)	Battery Spec. (LiFePO4)	Constant worktime at 100% power	Constant worktime at 30% power (Energy save mode)	Charge Time (low battery voltage)	Installation Height	Pole Distance
50W Monocrystal	ZGSM-PV501009	10W	1 (30 LEDs)	145 lm/ w	1450 lm	9AH /12.8V	>9 Hours	>32 Hours	<2.5 Hours	3~4m	9~14m
	ZGSM-PV501509	15W	1 (30 LEDs)	140 lm/ w	2100 lm	9AH /12.8V	>6 Hours	>20 Hours	<2.5 Hours	3~5m	9~17m
	ZGSM-PV502009	20W	1 (30 LEDs)	130 lm/ w	2600 lm	9AH /12.8V	>4.5 Hours	>16 Hours	<2.5 Hours	4~5m	12~17m
	ZGSM-PV502018	20W	1 (30 LEDs)	130 lm/ w	2600 lm	18AH /12.8V	>9 Hours	>30 Hours	<5 Hours	4~5m	12~17m
	ZGSM-PV503018	30W	2 (60 LEDs)	140 lm/ w	4200 lm	18AH /12.8V	>6 Hours	>21 Hours	<5 Hours	4~6m	12~21m
	ZGSM-PV504018	40W	2 (60 LEDs)	130 lm/ w	5200 lm	18AH /12.8V	>4.5 Hours	>16 Hours	<5 Hours	5~6m	15~21m
	ZGSM-PV504027	40W	2 (60 LEDs)	130 lm/ w	5200 lm	27AH /12.8V	>6.5 Hours	>23 Hours	<6.5 Hours	5~6m	15~21m
	ZGSM-PV505027	50W	2 (60 LEDs)	125 lm/ w	6250 lm	27AH /12.8V	>5.5 Hours	>19 Hours	<6.5 Hours	5~7m	15~25m

Electrical & Photometric

Solar Panel Spec.	Model	Power	Modules Qty	Luminaire efficacy (+/- 5%)	Lumen Output (+/- 5%)	Battery Spec. (LiFePO4)	Constant worktime at 100% power	Constant worktime at 30% power (Energy save mode)	Charge Time (low battery voltage)	Installation Height	Pole Distance
70W Monocrystal	ZGSM-PV702018	20W	2 (60 LEDs)	145 lm/ w	2900 lm	18AH /12.8V	>9 Hours	>30 Hours	<3.5 Hours	4~5m	12~17m
	ZGSM-PV703018	30W	2 (60 LEDs)	140 lm/ w	4200 lm	18AH /12.8V	>6 Hours	>20 Hours	<3.5 Hours	4~6m	12~21m
	ZGSM-PV703027	30W	2 (60 LEDs)	140 lm/ w	4200 lm	27AH /12.8V	>9 Hours	>30 Hours	<5 Hours	4~6m	12~21m
	ZGSM-PV704018	40W	2 (60 LEDs)	130 lm/ w	5200 lm	18AH /12.8V	>4.5 Hours	>16 Hours	<3.5 Hours	5~6m	15~21m
	ZGSM-PV704027	40W	2 (60 LEDs)	130 lm/ w	5200 lm	27AH /12.8V	>6.5 Hours	>23 Hours	<5 Hours	5~6m	15~21m
	ZGSM-PV704036	40W	2 (60 LEDs)	130 lm/ w	5200 lm	36AH /12.8V	>9 Hours	>30 Hours	<6 Hours	5~6m	15~21m
	ZGSM-PV705027	50W	3 (90 LEDs)	135 lm/ w	6750 lm	27AH /12.8V	>5.5 Hours	>19 Hours	<5 Hours	5~7m	15~25m
	ZGSM-PV705036	50W	3 (90 LEDs)	135 lm/ w	6750 lm	36AH /12.8V	>7 Hours	>25 Hours	<6 Hours	5~7m	15~25m
	ZGSM-PV706027	60W	3 (90 LEDs)	130 lm/ w	7800 lm	27AH /12.8V	>4.5 Hours	>16 Hours	<5 Hours	6~8m	18~35m
ZGSM-PV706036	60W	3 (90 LEDs)	130 lm/ w	7800 lm	36AH /12.8V	>6 Hours	>20 Hours	<6 Hours	6~8m	18~35m	

Certification

Manufacturer
ISO9001, ISO14001
PV2 Series [All the models]
CE, ROHS, LM80

Electrical & Photometric

Solar Panel Spec.	Model	Power	Modules Qty	Luminaire efficacy (+/- 5%)	Lumen Output (+/- 5%)	Battery Spec. (LiFePO4)	Constant worktime at 100% power	Constant worktime at 30% power (Energy save mode)	Charge Time (low battery voltage)	Installation Height	Pole Distance
100W Monocrystal	ZGSM-PV1003018	30W	3 (90 LEDs)	145 lm/ w	4350 lm	18AH /12.8V	>6 Hours	>20 Hours	<2.2 Hours	4~6m	12~21m
	ZGSM-PV1003027	30W	3 (90 LEDs)	145 lm/ w	4350 lm	27AH /12.8V	>9 Hours	>30 Hours	<3.5 Hours	4~6m	12~21m
	ZGSM-PV1004018	40W	3 (90 LEDs)	140 lm/ w	5600 lm	18AH /12.8V	>4.5 Hours	>16 Hours	<2.2 Hours	5~6m	15~21m
	ZGSM-PV1004027	40W	3 (90 LEDs)	140 lm/ w	5600 lm	27AH /12.8V	>6.5 Hours	>23 Hours	<3.5 Hours	5~6m	15~21m
	ZGSM-PV1004036	40W	3 (90 LEDs)	140 lm/ w	5600 lm	36AH /12.8V	>9 Hours	>30 Hours	<4.5 Hours	5~6m	15~21m
	ZGSM-PV1005027	50W	3 (90 LEDs)	135 lm/ w	6750 lm	27AH /12.8V	>5.5 Hours	>19 Hours	<3.5 Hours	5~7m	15~25m
	ZGSM-PV1005036	50W	3 (90 LEDs)	135 lm/ w	6750 lm	36AH /12.8V	>7 Hours	>25 Hours	<4.5 Hours	5~7m	15~25m
	ZGSM-PV1005045	50W	3 (90 LEDs)	135 lm/ w	6750 lm	45AH /12.8V	>9 Hours	>30 Hours	<5.5 Hours	5~7m	15~25m
	ZGSM-PV1006027	60W	3 (90 LEDs)	130 lm/ w	7800 lm	27AH /12.8V	>4.5 Hours	>16 Hours	<3.5 Hours	6~8m	18~35m
	ZGSM-PV1006036	60W	3 (90 LEDs)	130 lm/ w	7800 lm	36AH /12.8V	>6 Hours	>20 Hours	<4.5 Hours	6~8m	18~35m
	ZGSM-PV1006045	60W	3 (90 LEDs)	130 lm/ w	7800 lm	45AH /12.8V	>7 Hours	>23 Hours	<5.5 Hours	6~8m	18~35m

Working Environment & Packing

Solar Panel	Model	Working Temperature	CRI	CCT	Optic	Rating	Induction Type	Pole Aperture	Body/ Base Carton Size (mm)	N.W (kg)	Body/ Base G.W (kg)	
Monocrystal 50W	ZGSM-PV501009 ZGSM-PV501509 ZGSM-PV502009	-20 °C ~ +60 °C	>70	3000* 4000 5000 5700	1S	IP65 IK10	Human infrared induction or microwave induction function for optional, Factory default is infrared induction.	Round pole: Φ60~85mm; Square pole: 60 x60 ~77 x77mm	915*485*140/ 410*160*205	13.8	11.9/ 4.2	
	ZGSM-PV502018									14.9	13.0/ 4.2	
	ZGSM-PV503018 ZGSM-PV504018									15.3	13.4/ 4.2	
	ZGSM-PV504027 ZGSM-PV505027									16.5	14.6/ 4.2	
	ZGSM-PV702018 ZGSM-PV703018 ZGSM-PV704018									16.8	15.3/ 4.2	
	ZGSM-PV703027 ZGSM-PV704027									18.0	16.4/ 4.2	
Monocrystal 70W	ZGSM-PV704036								19.0	17.4/ 4.2		
	ZGSM-PV705027 ZGSM-PV706027								18.4	16.8/ 4.2		
	ZGSM-PV705036 ZGSM-PV706036								19.4	17.8/ 4.2		
	Monocrystal 100W								ZGSM-PV1003018 ZGSM-PV1004018	1665*485*140/ 410*160*205	22.8	22.1/ 4.2
									ZGSM-PV1003027 ZGSM-PV1004027 ZGSM-PV1005027 ZGSM-PV1006027		23.8	23.1/ 4.2
									ZGSM-PV1004036 ZGSM-PV1005036 ZGSM-PV1006036			
ZGSM-PV1005045 ZGSM-PV1006045		25.0	24.3/ 4.2									

Note: Above data of weight are all typical values.