



Contents

LED Street Light

Series-H

Series-K

Series-Kmini

Series-L

LED Bay/ Flood Light

Series-H

Series-HB

Series-UFO

LED Canopy Light

Series-A

Series-H

LED Tunnel Light

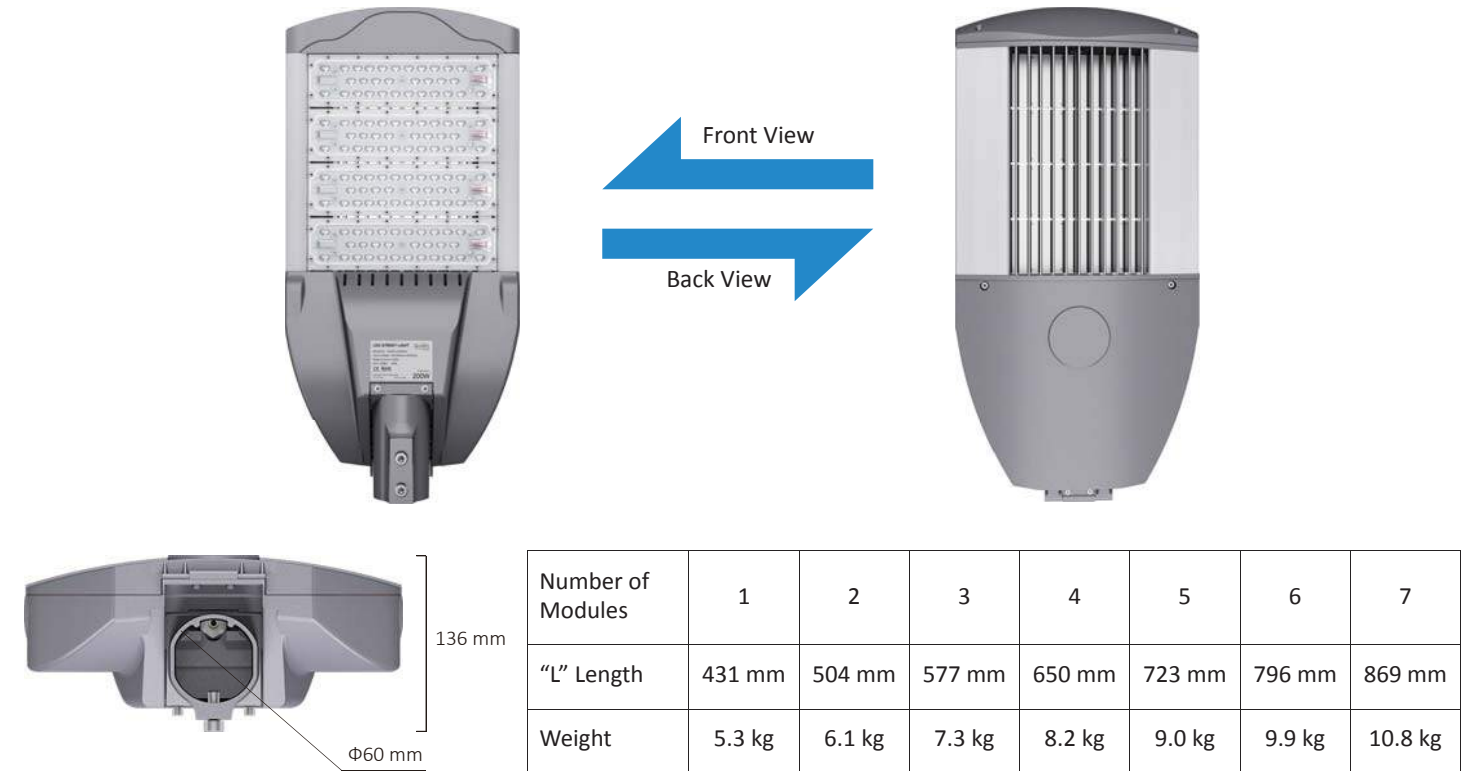
Series-H

LED Solar Street Light

Series-PV

Series-PV2



LED Stadium Light



HIGH-EFFICACY LED LIGHT SOURCE

-  Philips Lumileds Luxeon TX
Greater than 135lm/W high efficacy, illumination grade LED light source.
-  Philips Lumileds 3030 2D
Greater than 150lm/W high efficacy, illumination grade LED light source.
-  Philips Lumileds 5050
Greater than 185lm/W high efficacy, illumination grade LED light source.

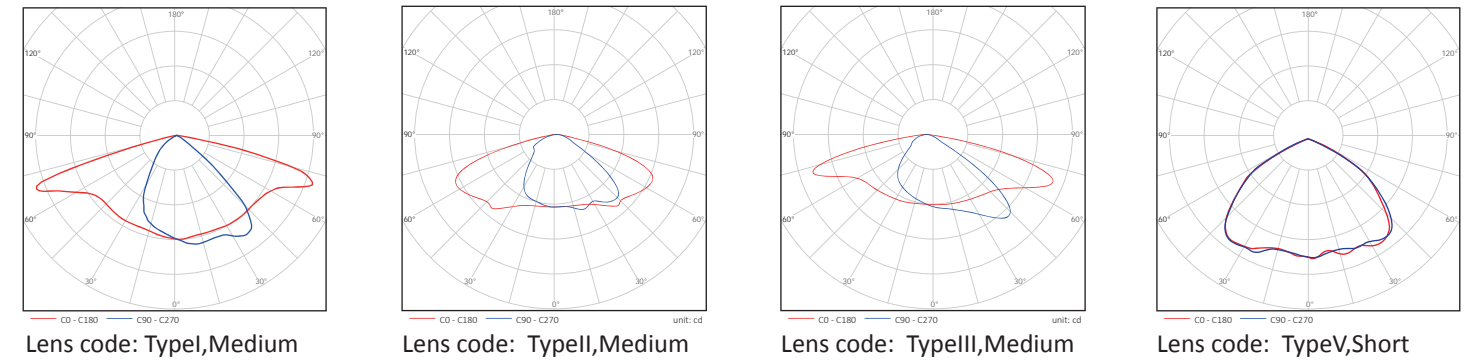
HIGH-END LED DRIVER (Two options)

- + NON-DIMMABLE**

 High-end Mean Well HLG Series LED driver, optimal stability, performance and lifespan.
- + DIMMABLE**

 High-end Inventronics programmable LED driver, integrate dimming function and 6KV /10KV surge protection. Provide excellent performance and lifespan.

FLEXIBLE COMBINATIONS OF MODULES



Light Distribution Options



SERIES-H LED STREET LIGHTS

PRODUCT CATALOG

Electrical & Photometric

★ 3030 Version

Number of Modules	Model	LED Working Current	Power	Luminaire Efficacy (+/- 5%)	Lumen Output (+/- 5%)	Input Voltage	LED Brand	Driver Brand	Light Distributions	CCT (K)	Surge Protection Device	Lifetime (h)
1	ZGSM-LD40H4	95mA	40W	130 lm /w	5200 lm	100-240V /277V AC 50 /60Hz	Philips Lumileds 3030 2D	MeanWell Inventronics	TypeI, Medium TypeII, Medium TypeIII, Medium TypeV, Short	3000* 4000 5000 5700	10KV	>100,000 (L70)
	ZGSM-LD50H5	115mA	50W	125 lm /w	6250 lm							>80,000 (L70)
	ZGSM-LD60H6	145mA	60W	120 lm /w	7200 lm							>100,000 (L70)
2	ZGSM-LD80H4	100mA	80W	130 lm /w	10400 lm							>80,000 (L70)
	ZGSM-LD100H5	120mA	100W	125 lm /w	12500 lm							>100,000 (L70)
	ZGSM-LD120H6	145mA	120W	120 lm /w	14400 lm							>80,000 (L70)
3	ZGSM-LD120H4	100mA	120W	130 lm /w	15600 lm							>100,000 (L70)
	ZGSM-LD150H5	120mA	150W	125 lm /w	18750 lm							>80,000 (L70)
	ZGSM-LD180H6	145mA	180W	120 lm /w	21600 lm							>100,000 (L70)
4	ZGSM-LD160H4	100mA	160W	130 lm /w	20800 lm							>80,000 (L70)
	ZGSM-LD200H5	120mA	200W	125 lm /w	25000 lm							>100,000 (L70)
	ZGSM-LD240H6	145mA	240W	120 lm /w	28800 lm							>80,000 (L70)
5	ZGSM-LD200H4	100mA	200W	130 lm /w	26000 lm							>100,000 (L70)
	ZGSM-LD240H5	120mA	240W	125 lm /w	30000 lm							>100,000 (L70)

*Luminous Efficacy of 3000K is 5% lower than other CCTs.

★ 3535 Version

Number of Modules	Model	LED Working Current	Power	Luminaire Efficacy (+/- 5%)	Lumen Output (+/- 5%)	Input Voltage	LED Brand	Driver Brand	Light Distributions	CCT (K)	Surge Protection Device	Lifetime (h)
1	ZGSM-LD35H	750mA	35W	110 lm /w	3850 lm	100-240V /277V AC 50 /60Hz	Philips Lumileds Luxeon TX	MeanWell Inventronics	TypeI, Medium TypeII, Medium TypeIII, Medium TypeV, Short	3000* 4000 5000 5700	10KV	>100,000 (L70)
	ZGSM-LD40H2	860mA	40W	110 lm /w	4400 lm							
2	ZGSM-LD65H	750mA	65W	110 lm /w	7150 lm							
	ZGSM-LD80H2	900mA	80W	110 lm /w	8800 lm							
3	ZGSM-LD100H	750mA	100W	110 lm /w	11000 lm							
	ZGSM-LD120H2	900mA	120W	110 lm /w	13200 lm							
4	ZGSM-LD135H	750mA	135W	110 lm /w	14850 lm							
	ZGSM-LD160H2	900mA	160W	110 lm /w	17600 lm							
5	ZGSM-LD165H	750mA	165W	110 lm /w	18150 lm							
	ZGSM-LD200H2	900mA	200W	110 lm /w	22000 lm							
6	ZGSM-LD200H	750mA	200W	110 lm /w	22000 lm							
	ZGSM-LD240H2	900mA	240W	110 lm /w	26400 lm							
7	ZGSM-LD230H	750mA	230W	110 lm /w	25300 lm							
	ZGSM-LD280H2	900mA	280W	110 lm /w	30800 lm							

*Luminous Efficacy of 3000K is 5% lower than other CCTs.

SERIES-H LED STREET LIGHTS

PRODUCT CATALOG

★ 5050 Version

Number of Modules	Model	LED Working Current	Power	Luminaire Efficacy (+/- 5%)	Lumen Output (+/- 5%)	Input Voltage	LED Brand	Driver Brand	Light Distributions	CCT (K)	Surge Protection Device	Lifetime (h)
1	ZGSM-LD40H4	48mA	40W	160 lm /w	6400 lm	100-240V /277V AC 50 /60Hz	Philips Lumileds 5050	MeanWell Inventronics	TypeII, Medium TypeV, Short	3000* 4000 5000 5700	10KV	>100,000 (L70)
	ZGSM-LD50H5	59mA	50W	155 lm /w	7750 lm							
	ZGSM-LD60H6	75mA	60W	155 lm /w	9300 lm							
2	ZGSM-LD80H4	50mA	80W	165 lm /w	13200 lm							
	ZGSM-LD100H5	61mA	100W	160 lm /w	16000 lm							
	ZGSM-LD120H6	75mA	120W	155 lm /w	18600 lm							
3	ZGSM-LD120H4	50mA	120W	165 lm /w	19800 lm							
	ZGSM-LD150H5	58mA	150W	160 lm /w	24000 lm							
	ZGSM-LD180H6	75mA	180W	155 lm /w	27900 lm							
4	ZGSM-LD160H4	50mA	160W	165 lm /w	26400 lm							
	ZGSM-LD200H5	58mA	200W	160 lm /w	32000 lm							
	ZGSM-LD240H6	75mA	240W	155 lm /w	37200 lm							
5	ZGSM-LD200H4	50mA	200W	165 lm /w	33000 lm							
	ZGSM-LD240H5	61mA	240W	160 lm /w	38400 lm							

*Luminous Efficacy of 3000K is 5% lower than other CCTs.

Working Environment & Packing

Number of Modules	Working Environment	Storage Temperature	Rating	CRI	Power Factor	Power Efficiency	Material	Pole Diameter (mm)	Product Dimensions (mm)	Carton Size (mm)	N.W (kg)	G.W (kg)
1	-40 °C ~ +50 °C 10% ~ 90%RH	-40 °C ~ +50 °C	Class I IP66 IK10	>70	>0.95	>90%	Housing: Die-cast aluminum; Heat sink: Stretched Aluminium Alloy; Lens: PC	60	431*316*136	480*370*200	5.3	6.3
2									504*316*136	555*370*200	6.1	7.3
3									577*316*136	630*370*200	7.3	8.6
4									650*316*136	705*370*200	8.2	9.6
5									723*316*136	780*370*200	9.0	10.6
6									796*316*136	855*370*200	9.9	11.6
7									869*316*136	930*370*200	10.8	12.6

Note: Above data of weight are all typical values.

Certification

Manufacturer
ISO9001, ISO14001
H Series [ZGSM-LD35H, ZGSM-LD65H, ZGSM-LD100H, ZGSM-LD135H, ZGSM-LD165H, ZGSM-LD200H, ZGSM-LD230H]
CE, ROHS, GS, CB, SAA, FCC, UL, cUL, DLC, LM79, LM80
H2 Series [ZGSM-LD40H2, ZGSM-LD80H2, ZGSM-LD120H2, ZGSM-LD160H2, ZGSM-LD200H2, ZGSM-LD240H2, ZGSM-LD280H2]
CE, ROHS, GS, CB, FCC, TUV-Mark, LM80
H4/H5 Series [ZGSM-LD40H4, ZGSM-LD80H4, ZGSM-LD120H4, ZGSM-LD160H4, ZGSM-LD200H4 ZGSM-LD50H5, ZGSM-LD100H5, ZGSM-LD150H5, ZGSM-LD200H5, ZGSM-LD240H5]
CE, ROHS, CB, FCC, ENEC, LM80
H6 Series [ZGSM-LD60H6, ZGSM-LD120H6, ZGSM-LD180H6, ZGSM-LD240H6]
CE, ROHS, LM80

SERIES-K
LED STREET LIGHTS

PRODUCT CATALOG

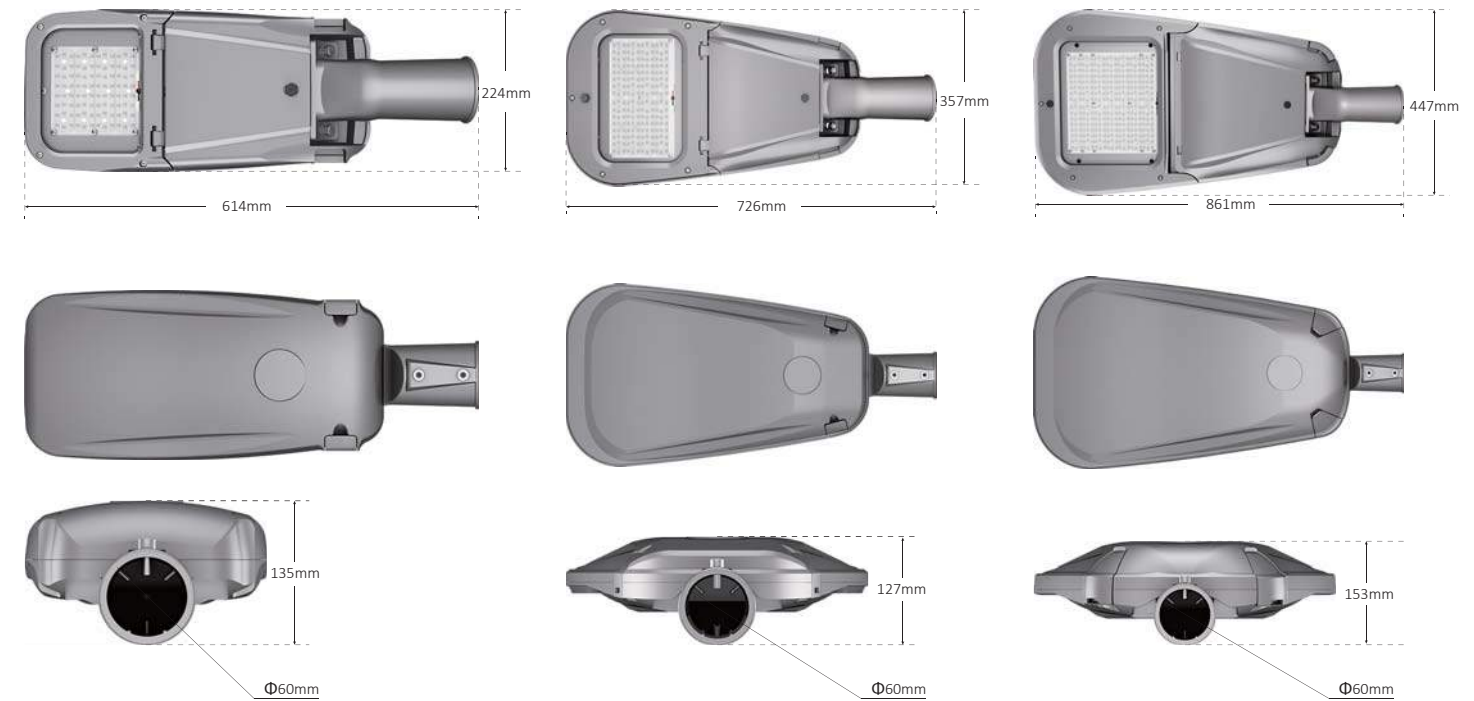


SERIES-K
LED STREET LIGHTS

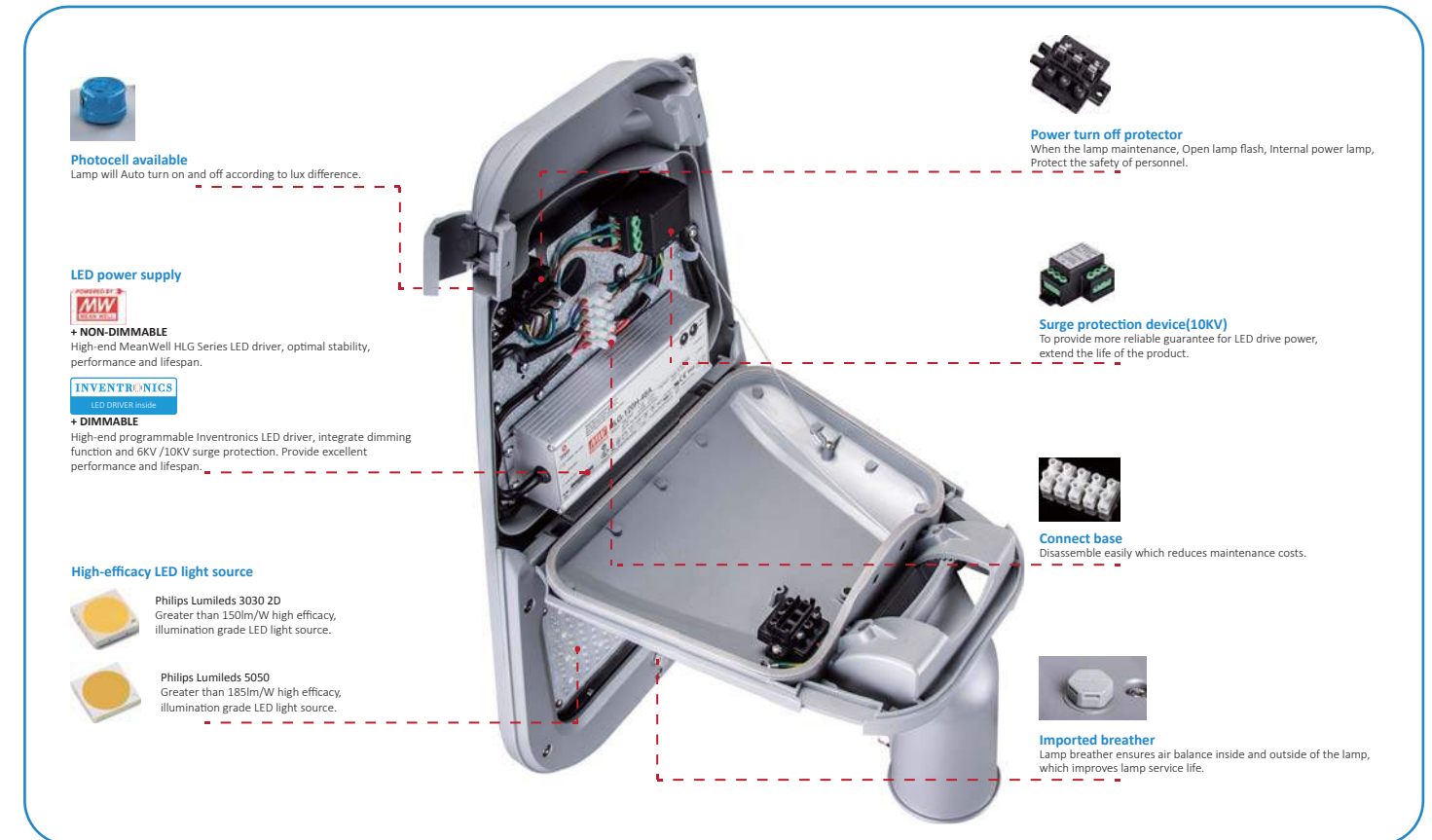
PRODUCT CATALOG

Design

★ External Design



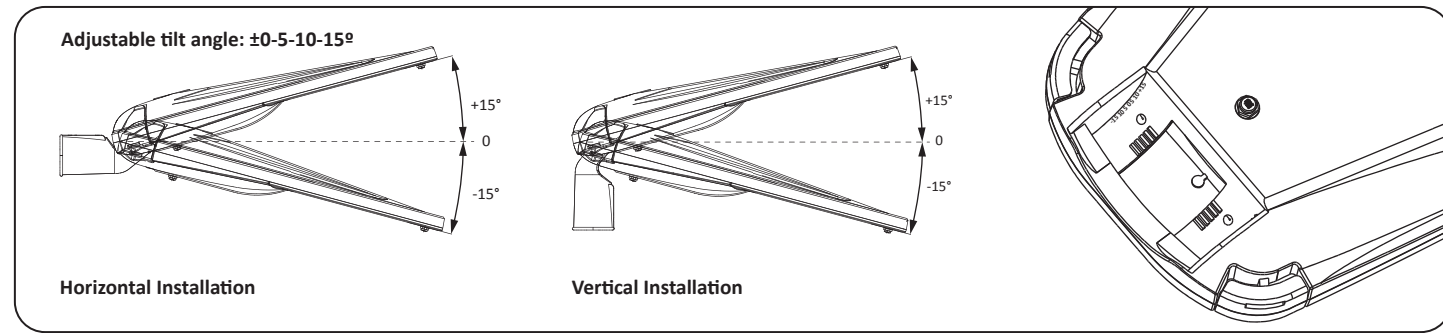
★ Internal Design



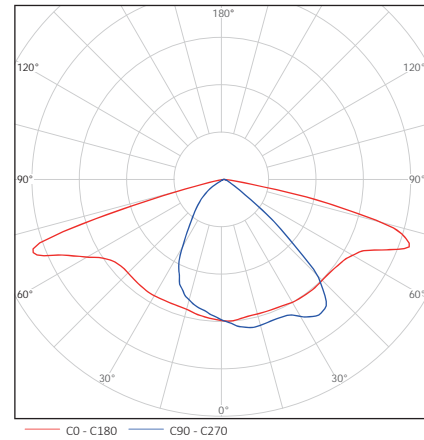
SERIES-K LED STREET LIGHTS

PRODUCT CATALOG

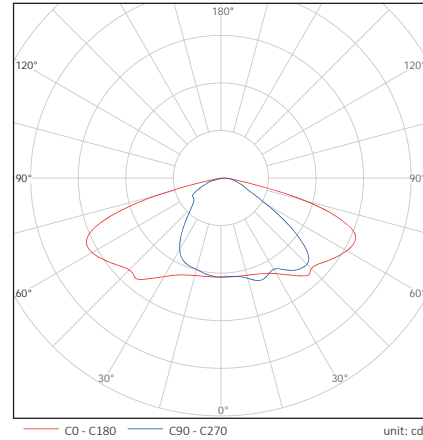
Flexible Fitter



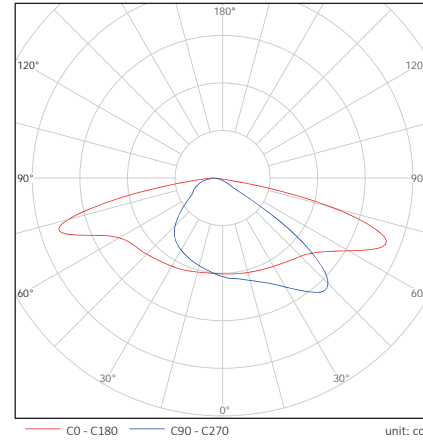
Light Distribution Options



Lens code: Typel,Medium



Lens code: Typell,Medium



Lens code: Typelll,Medium

Electrical & Photometric

★ 3030 Version

Series	Model	LED Qty/ Current	Power	Luminaire efficacy (+/- 5%)	Lumen Output (+/- 5%)	Input Voltage	LED Brand	Driver Brand	Light Distributions	CCT (K)	Surge Protection Device	Lifetime (h)
KS	ZGSM-LD25KS	48units/ 83mA	25W	115 lm /w	2875 lm	100-240V /277V AC 50 /60Hz	Philips Lumileds 3030 2D	MeanWell Inventronics	Typel, Medium Typell, Medium Typelll, Medium	3000* 4000 5000 5700	10KV	>100,000 (L70)
	ZGSM-LD35KS	72units/ 78mA	35W	115 lm /w	4025 lm							
	ZGSM-LD55KS	96units/ 88mA	55W	115 lm /w	6325 lm							
KM	ZGSM-LD60KM	96units/ 93mA	60W	125 lm /w	7500 lm							
	ZGSM-LD90KM	144units/ 93mA	90W	125 lm /w	11250 lm							
	ZGSM-LD120KM	192units/ 93mA	120W	125 lm /w	15000 lm							
KL	ZGSM-LD120KL	192units/ 93mA	120W	125 lm /w	15000 lm							
	ZGSM-LD150KL	240units/ 93mA	150W	125 lm /w	18750 lm							
	ZGSM-LD180KL	288units/ 93mA	180W	125 lm /w	22500 lm							
	ZGSM-LD200KL	336units/ 93mA	200W	125 lm /w	25000 lm							

*Luminous Efficacy of 3000K is 5% lower than other CCTs.

SERIES-K LED STREET LIGHTS

PRODUCT CATALOG

★ 5050 Version

Series	Model	LED Qty/ Current	Power	Luminaire efficacy (+/- 5%)	Lumen Output (+/- 5%)	Input Voltage	LED Brand	Driver Brand	Light Distributions	CCT (K)	Surge Protection Device	Lifetime (h)
KS	ZGSM-LD25KS	24units/ 89mA	25W	140 lm /w	3500 lm	100-240V /277V AC 50 /60Hz	Philips Lumileds 5050	MeanWell Inventronics	Typell, Medium	3000* 4000 5000 5700	10KV	>100,000 (L70)
	ZGSM-LD35KS	36units/ 89mA	35W	140 lm /w	4900 lm							
	ZGSM-LD55KS	48units/ 90mA	55W	140 lm /w	7700 lm							
KM	ZGSM-LD60KM	48units/ 91mA	60W	145 lm /w	8700 lm							
	ZGSM-LD90KM	72units/ 91mA	90W	145 lm /w	13050 lm							
	ZGSM-LD120KM	96units/ 91mA	120W	145 lm /w	17400 lm							
KL	ZGSM-LD120KL	96units/ 91mA	120W	145 lm /w	17400 lm							
	ZGSM-LD150KL	120units/ 91mA	150W	145 lm /w	21750 lm							
	ZGSM-LD180KL	144units/ 91mA	180W	145 lm /w	26100 lm							
	ZGSM-LD200KL	168units/ 91mA	200W	145 lm /w	29000 lm							

*Luminous Efficacy of 3000K is 5% lower than other CCTs.

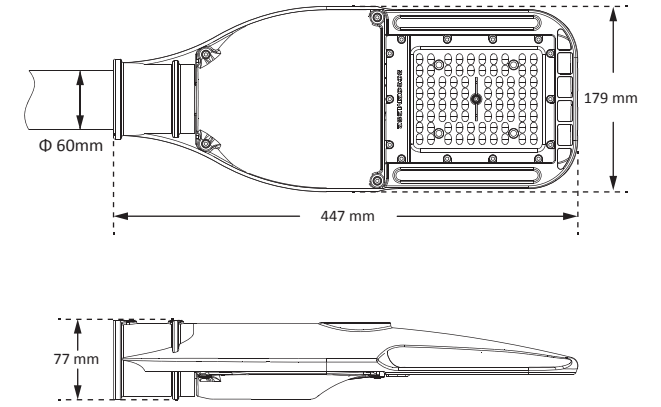
Working Environment & Packing

Model	Working Environment	Storage Temperature	Rating	CRI	Power Factor	Power Efficiency	Material	Pole Diameter (mm)	Product Dimensions (mm)	Carton Size (mm)	N.W (kg)	G.W (kg)
ZGSM-LD25KS	-40 °C ~ +50 °C 10% ~ 90%RH	-40 °C ~ +50 °C	Class I IP66 IK08	>70	>0.95	>90%	Housing: Die-cast aluminum Lens: Tempered glass and PC	60	614*224*135	675*290*220	5.8	7.3
ZGSM-LD35KS									614*224*135	675*290*220	5.9	7.4
ZGSM-LD55KS									614*224*135	675*290*220	6.0	7.5
ZGSM-LD60KM									726*357*127	785*415*200	7.8	9.8
ZGSM-LD90KM									726*357*127	785*415*200	8.1	10.1
ZGSM-LD120KM									726*357*127	785*415*200	8.2	10.2
ZGSM-LD120KL									861*447*153	915*495*225	12.0	14.5
ZGSM-LD150KL									861*447*153	915*495*225	12.0	14.5
ZGSM-LD180KL									861*447*153	915*495*225	12.1	14.6
ZGSM-LD200KL									861*447*153	915*495*225	12.2	14.7

Note: Above data of weight are all typical values.

Certification

Manufacturer
ISO9001, ISO14001
K Series [ZGSM-LD25KS, ZGSM-LD35KS, ZGSM-LD55KS, ZGSM-LD60KM, ZGSM-LD90KM, ZGSM-LD120KM, ZGSM-LD120KL, ZGSM-LD150KL, ZGSM-LD180KL, ZGSM-LD200KL]
CE, ROHS, CB, FCC, LM79, LM80, ENEC



Electrical & Photometric

Series	Model	LED Qty/ Current	Power	Luminaire efficacy (+/- 5%)	Lumen Output (+/- 5%)	Input Voltage	LED Brand	Driver Brand	Dimming 0(1)-10V	Light Distributions	CCT (K)	Surge Protection Device	Lifetime (h)
Kmini	ZGSM-LD28Kmini	40units/ 100mA	28W	135 lm /w	3780 lm	100-240V /277V AC 50 /60Hz	Phillips Lumileds 3030 2D	Inventronics	x	Typell, Medium	3000*	10KV	>100,000 (L70)
	ZGSM-LD38Kmini	56units/ 100mA	38W	130 lm /w	4940 lm				v		4000 5000 5700		
	ZGSM-LD57Kmini	80units/ 105mA	57W	130 lm /w	7410 lm				v				

*Luminous Efficacy of 3000K is 5% lower than other CCTs.

Working Environment & Packing

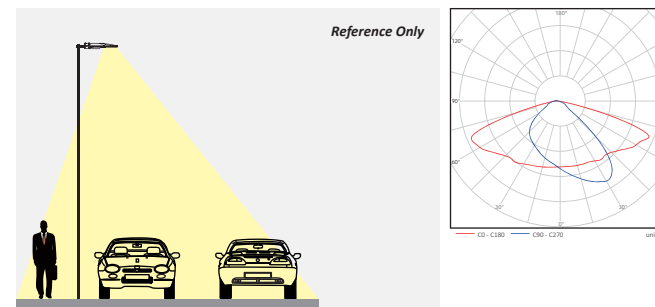
Model	Working Environment	Storage Temperature	Rating	CRI	Power Factor	Power Efficiency	Material	Pole Diameter (mm)	Product Dimensions (mm)	Carton Size (mm)	N.W (kg)	G.W (kg)		
ZGSM-LD28Kmini	-40 °C ~ +50 °C 10% ~ 90%RH	-40 °C ~ +50 °C	Class I IP66 IK10	>70	>0.95	>90%	Housing: Die-cast aluminum Lens: PC	60	447*179*77	465*200*100	2.1	3.6		
ZGSM-LD38Kmini									447*179*77				2.2	3.7
ZGSM-LD57Kmini									447*179*77				2.3	3.8

Note: Above data of weight are all typical values.

Certification

Manufacturer
ISO9001, ISO14001
Kmini Series [ZGSM-LD28Kmini, ZGSM-LD38Kmini, ZGSM-LD57Kmini.]
CE, CB, ROHS, ENEC, LM80

Optics



TYPE II

The Type II lens of ZGSM Kmini series street light has beam angle of 65*155 degrees. In the IESNA Standard, the Type II distribution is used for wide walkways, on ramps and entrance roadways, as well as other long, narrow lighting. It is generally applicable to where the width of the roadway does not exceed 1.75 times the designed mounting height.