





7 YEAR
WARRANTY



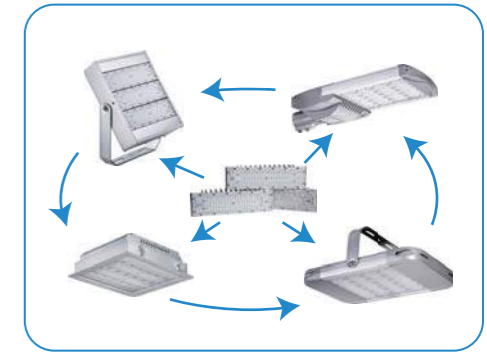
HIGH-EFFICACY LED LIGHT SOURCE

-  Philips Lumileds Luxeon TX
Greater than 135lm/W high efficacy, illumination grade LED light source.
-  Philips Lumileds 3030 2D
Greater than 150lm/W high efficacy, illumination grade LED light source.
-  Philips Lumileds 5050
Greater than 185lm/W high efficacy, illumination grade LED light source.

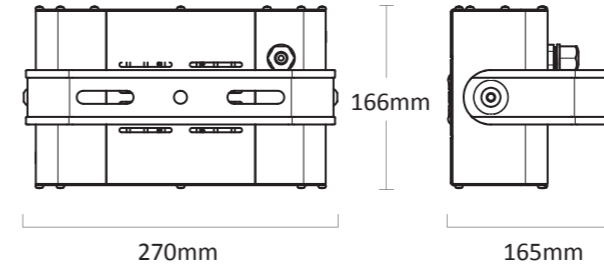
HIGH-END LED DRIVER (Two options)

-  **NON-DIMMABLE**
POWERED BY
MW
MEAN WELL
High-end Mean Well HLG Series LED driver, optimal stability, performance and lifespan.
-  **DIMMABLE**
INVENTRONICS
LED DRIVER inside
High-end Inventronics programmable LED driver, integrate dimming function and 6KV /10KV surge protection. Provide excellent performance and lifespan.

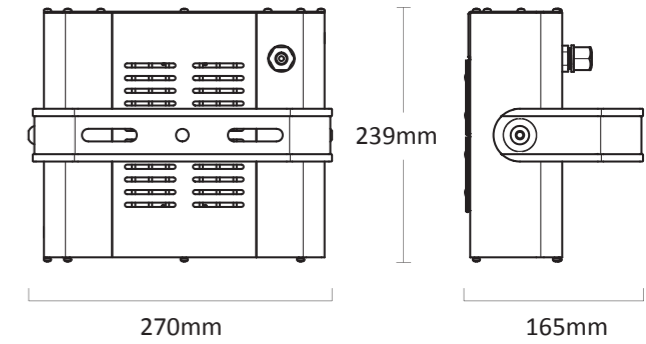
FLEXIBLE COMBINATIONS OF MODULES



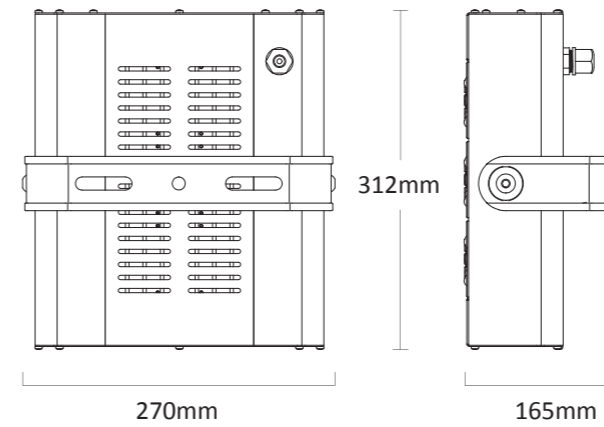
Dimension



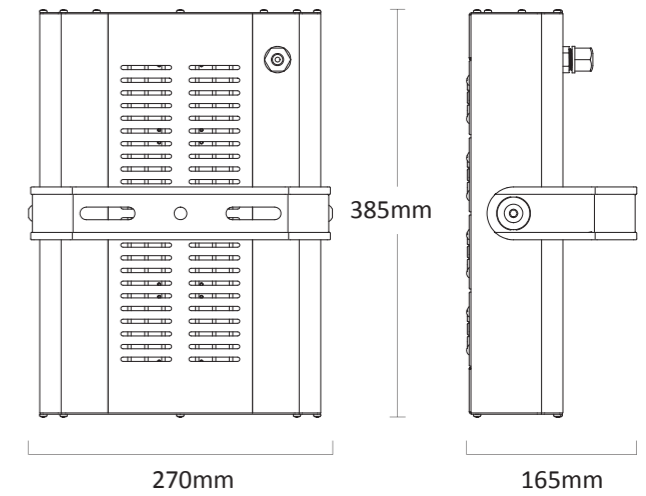
1 module



2 modules



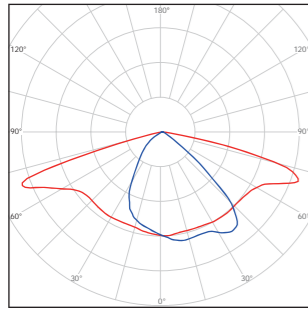
3 modules



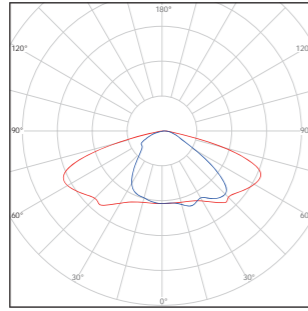
4 modules

SERIES-H LED TUNNEL LIGHTS

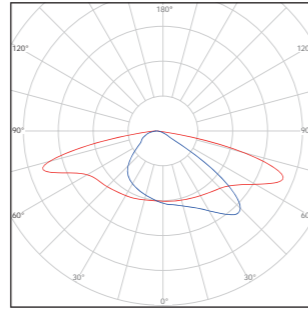
PRODUCT CATALOG



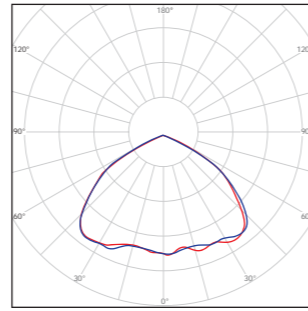
Lens code: Typel,Medium



Lens code: Typell,Medium



Lens code: Typelll,Medium



Lens code: TypeV,Short

Electrical & Photometric

★ 3030 Version

Number of Modules	Model	LED Working Current	Power	Luminaire Efficacy (+/- 5%)	Lumen Output (+/- 5%)	Input Voltage	LED Brand	Driver Brand	Light Distributions	CCT (K)	Lifetime (h)
1	ZGSM-SDD40H4	95mA	40W	130 lm /w	5200 lm	100-240V /277V AC 50 /60Hz	Philips Lumileds 3030 2D	MeanWell Inventronics	Typel, Medium Typell, Medium Typelll, Medium TypeV, Short	3000* 4000 5000 5700	>100,000 (L70)
	ZGSM-SDD50H5	115mA	50W	125 lm /w	6250 lm						>80,000 (L70)
	ZGSM-SDD60H6	145mA	60W	120 lm /w	7200 lm						>100,000 (L70)
2	ZGSM-SDD80H4	100mA	80W	130 lm /w	10400 lm						>80,000 (L70)
	ZGSM-SDD100H5	120mA	100W	125 lm /w	12500 lm						>100,000 (L70)
	ZGSM-SDD120H6	145mA	120W	120 lm /w	14400 lm						>80,000 (L70)
3	ZGSM-SDD120H4	100mA	120W	130 lm /w	15600 lm						>100,000 (L70)
	ZGSM-SDD150H5	120mA	150W	125 lm /w	18750 lm						>80,000 (L70)
	ZGSM-SDD180H6	145mA	180W	120 lm /w	21600 lm						>100,000 (L70)
4	ZGSM-SDD160H4	100mA	160W	130 lm /w	20800 lm						>80,000 (L70)
	ZGSM-SDD200H5	120mA	200W	125 lm /w	25000 lm						>100,000 (L70)
	ZGSM-SDD240H6	145mA	240W	120 lm /w	28800 lm						>80,000 (L70)

*Luminous Efficacy of 3000K is 5% lower than other CCTs.

★ 3535 Version

Number of Modules	Model	LED Working Current	Power	Luminaire Efficacy (+/- 5%)	Lumen Output (+/- 5%)	Input Voltage	LED Brand	Driver Brand	Light Distributions	CCT (K)	Lifetime (h)
1	ZGSM-SDD40H	860mA	40W	110 lm /w	4400 lm	100-240V /277V AC 50 /60Hz	Philips Lumileds Luxeon TX	MeanWell Inventronics	Typel, Medium Typell, Medium Typelll, Medium TypeV, Short	3000* 4000 5000 5700	>100,000 (L70)
2	ZGSM-SDD80H	900mA	80W	110 lm /w	8800 lm						
3	ZGSM-SDD120H	900mA	120W	110 lm /w	13200 lm						
4	ZGSM-SDD160H	900mA	160W	110 lm /w	17600 lm						

*Luminous Efficacy of 3000K is 5% lower than other CCTs.

SERIES-H LED TUNNEL LIGHTS

PRODUCT CATALOG

★ 5050 Version

Number of Modules	Model	LED Working Current	Power	Luminaire Efficacy (+/- 5%)	Lumen Output (+/- 5%)	Input Voltage	LED Brand	Driver Brand	Light Distributions	CCT (K)	Lifetime (h)
1	ZGSM-SDD40H4	48mA	40W	160 lm /w	6400 lm	100-240V /277V AC 50 /60Hz	Philips Lumileds 5050	MeanWell Inventronics	Typell, Medium TypeV, Short	3000* 4000 5000 5700	>100,000 (L70)
	ZGSM-SDD50H5	59mA	50W	155 lm /w	7750 lm						
	ZGSM-SDD60H6	75mA	60W	155 lm /w	9300 lm						
2	ZGSM-SDD80H4	50mA	80W	165 lm /w	13200 lm						
	ZGSM-SDD100H5	61mA	100W	160 lm /w	16000 lm						
	ZGSM-SDD120H6	75mA	120W	155 lm /w	18600 lm						
3	ZGSM-SDD120H4	50mA	120W	165 lm /w	19800 lm						
	ZGSM-SDD150H5	58mA	150W	160 lm /w	24000 lm						
	ZGSM-SDD180H6	75mA	180W	155 lm /w	27900 lm						
4	ZGSM-SDD160H4	50mA	160W	165 lm /w	26400 lm						
	ZGSM-SDD200H5	58mA	200W	160 lm /w	32000 lm						
	ZGSM-SDD240H6	75mA	240W	155 lm /w	37200 lm						

*Luminous Efficacy of 3000K is 5% lower than other CCTs.

Working Environment & Packing

Number of Modules	Working Environment	Storage Temperature	Rating	CRI	Power Factor	Power Efficiency	Material	Product Dimensions (mm)	Carton Size (mm)	N.W (kg)	G.W (kg)
1	-40 °C ~ +50 °C 10% ~ 90%RH	-40 °C ~ +50 °C	Class I IP66 IK10	>70	>0.95	>90%	Housing: Aluminium Alloy; Lens: PC	166*270*165	285*370*200	2.3	3.0
2								239*270*165	355*370*200	3.5	4.3
3								312*270*165	430*370*200	4.4	5.2
4								385*270*165	505*370*200	5.2	6.1

Note: Above data of weight are all typical values.

Certification

Manufacturer
ISO9001, ISO14001
H Series [ZGSM-SDD40H, ZGSM-SDD80H, ZGSM-SDD120H, ZGSM-SDD160H]
CE, ROHS, GS, CB, SAA, LM80
H4/H5 Series [ZGSM-SDD40H4, ZGSM-SDD80H4, ZGSM-SDD120H4, ZGSM-SDD160H4 ZGSM-SDD50H5, ZGSM-SDD100H5, ZGSM-SDD150H5, ZGSM-SDD200H5]
CE, ROHS, LM80
H6 Series [ZGSM-SDD60H6, ZGSM-SDD120H6, ZGSM-SDD180H6, ZGSM-SDD240H6]
CE, ROHS, LM80